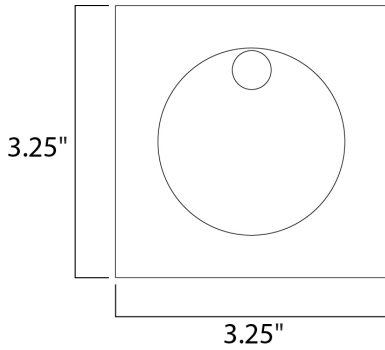




**PRODUCT DESCRIPTION**



**MEASUREMENTS**

DIMENSION : 3.25" W x 3.25" H x 1.5" Ext  
 HANGING WEIGHT : 0.44 lb

**LAMPING**

INPUT VOLTAGE : 120V  
 LUMENS : 180 Rated (70 Del.)  
 BULB : 1 x 2W LED PCB Integrated , 2W Total  
 BULB INCLUDED : (Integrated)  
 DIMMABLE : No  
 CRI : 80+ CRI  
 COLOR\_TEMP : 3000K  
 LIGHTING\_DIRECTION : Down

**FINISHES OPTION**

 Satin Aluminum (SA)

**MATERIAL**

Aluminum

**RATINGS**

cETLus  
 Location  
 ADA



**ADDITIONAL**

INSTALL UP/DOWN: Down  
 OPERATING TEMPERATURE:  
 -20°C (-4°F), 40°C (104°F)

Always consult a qualified electrician before installing any lighting product.



WESTERN DISTRIBUTION CENTER (HEADQUARTER)  
 253 NORTH VINELAND AVE | CITY OF INDUSTRY, CA 91746

EASTERN DISTRIBUTION CENTER  
 101 GARDNER PARK | PEACHTREE CITY, GA 30269

P. 626.956.4200 | F. 626.956.4225 | maximlighting.com