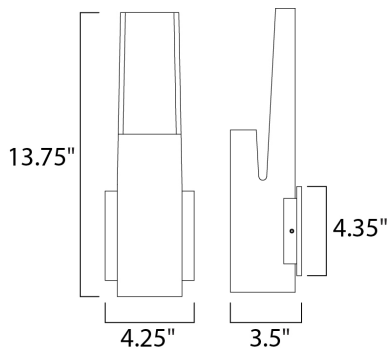




**PRODUCT DESCRIPTION**



**MEASUREMENTS**

DIMENSION : 4.25" W x 13.75" H x 3.5" Ext  
 BACK PLATE : 4.35" W x 4.35" H x 11.75" HCO  
 HANGING WEIGHT : 3.74 lb

**LAMPING**

INPUT VOLTAGE : 120V  
 LUMENS : 560 Rated (503 Del.)  
 BULB : 1 x 4W LED PCB Integrated , 4W Total  
 BULB INCLUDED : (Integrated)  
 DIMMABLE : Electronic Low Voltage (ELV)  
 CRI : 90+ CRI  
 COLOR\_TEMP : 3000K  
 LIGHTING\_DIRECTION : Up/Down

**FINISHES OPTION**

-  Bronze (BZ)
-  White (WT)

**MATERIAL**

Aluminum

**RATINGS**

cETLus  
 Wet Location  
 ADA



**ADDITIONAL**

INSTALL UP/DOWN: Up  
 OPERATING TEMPERATURE:  
 -20°C (-4°F), 40°C (104°F)

Always consult a qualified electrician before installing any lighting product.



WESTERN DISTRIBUTION CENTER (HEADQUARTER)  
 253 NORTH VINELAND AVE | CITY OF INDUSTRY, CA 91746  
 EASTERN DISTRIBUTION CENTER  
 101 GARDNER PARK | PEACHTREE CITY, GA 30269  
 P. 626.956.4200 | F. 626.956.4225 | maximlighting.com