



PRODUCT DESCRIPTION

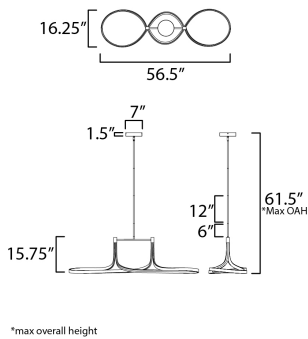
Spiraling sinews of LED tape light swirl in a snake like formation. Black aluminum channels are illuminated by strips of LED tape evenly diffused across a silicone lens. These sleek, modern designs, which come in two pendant sizes and a semi-flush mount, are sure to make a statement.

MEASUREMENTS

DIMENSION : 56.5" L x 16.25" W x 15.75" H
 MAX OAH : 61.5" OAH
 CANOPY : 7" W x 1.5" H x 7" L
 HANGING WEIGHT : 10 lb

LAMPING

INPUT VOLTAGE : 120-277V
 LUMENS : 6,240 Rated (4,640 Del.)
 BULB : 2 x 39W LED DC Integrated , 78W Total
 BULB INCLUDED : (Integrated)
 DIMMABLE : Triac CL
 CRI : 90 CRI
 COLOR_TEMP : 3000K



*max overall height

FINISHES OPTION

 Black (BK)

MATERIAL

Aluminum, Steel, Silicone

RATINGS

cETLus
 Dry Location



ADDITIONAL

RATED LIFE 50000 Hours
 OPERATING TEMPERATURE:
 -20°C (-4°F), 40°C (104°F)

Always consult a qualified electrician before installing any lighting product.



WESTERN DISTRIBUTION CENTER (HEADQUARTER)
 253 NORTH VINELAND AVE | CITY OF INDUSTRY, CA 91746
 EASTERN DISTRIBUTION CENTER
 101 GARDNER PARK | PEACHTREE CITY, GA 30269
 P. 626.956.4200 | F. 626.956.4225 | maxlighting.com