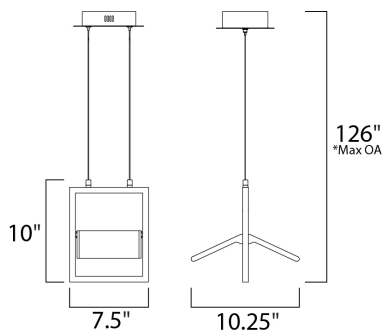


**PRODUCT DESCRIPTION**

Wings of extruded aluminum encase dual edge-lit LED panels which evenly distribute light to the surface below. The Black metal frame is accented with Polished Chrome end caps for striking contrast. The pendant and plug in lamps pivot in the center to allow you to direct the light.



\*max overall height

**MEASUREMENTS**

- DIMENSION : 10.25" L x 10.25" W x 10" H
- MAX OAH : 126" OAH
- HANGING WEIGHT : 13.2 lb

**LAMPING**

- INPUT VOLTAGE : 120V
- LUMENS : 700 Rated (425 Del.)
- BULB : 1 x 10W LED PCB Integrated , 10W Total
- BULB INCLUDED : (Integrated)
- DIMMABLE : Triac CL
- CRI : 80+ CRI
- COLOR\_TEMP : 3000K

**FINISHES OPTION**

- Black / Polished Chrome (BKPC)

**MATERIAL**

Steel, Aluminum

**RATINGS**

cETLus  
Dry Location



**ADDITIONAL**

ADJUSTABLE  
RATED LIFE 40000 Hours  
OPERATING TEMPERATURE:  
-20°C (-4°F), 40°C (104°F)

Always consult a qualified electrician before installing any lighting product.



Contemporary  
Lighting™

WESTERN DISTRIBUTION CENTER (HEADQUARTER)  
253 NORTH VINELAND AVE | CITY OF INDUSTRY, CA 91746

EASTERN DISTRIBUTION CENTER  
101 GARDNER PARK | PEACHTREE CITY, GA 30269

P. 626.956.4200 | F. 626.956.4225 | maximlighting.com