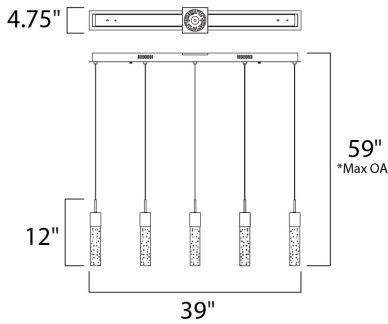




PRODUCT DESCRIPTION

Introducing the new and improved version of our previous Fizz II. The new version features a ceramic base LED from LG. With 30% greater light output and dimming capability, the new Fizz IV sets the standard in contemporary illumination.



*max overall height

MEASUREMENTS

- DIMENSION : 4.75" L x 39" W x 12" H
- MAX OAH : 134" OAH
- CANOPY : 1.8" W x 1.5" H x 37.8" L
- HANGING WEIGHT : 15.4 lb

LAMPING

- INPUT VOLTAGE : 120V
- LUMENS : 2,625 Rated (1,180 Del.)
- BULB : 5 x 7.5W LED PCB Integrated , 38W Total
- BULB INCLUDED : (Integrated)
- DIMMABLE : Triac CL
- COLOR_TEMP : 3000K

FINISHES OPTION



GLASS

Bubble 91

MATERIAL

Bubble Glass, Steel

RATINGS

cETLus
Dry Location



ADDITIONAL

FLUORESCENT WATTS: 24.6
INCANDESCENT WATTS: 111.82
RATED LIFE 40000 Hours
OPERATING TEMPERATURE:
-20°C (-4°F), 40°C (104°F)

Always consult a qualified electrician before installing any lighting product.



WESTERN DISTRIBUTION CENTER (HEADQUARTER)
253 NORTH VINELAND AVE | CITY OF INDUSTRY, CA 91746

EASTERN DISTRIBUTION CENTER
101 GARDNER PARK | PEACHTREE CITY, GA 30269

P. 626.956.4200 | F. 626.956.4225 | maximlighting.com