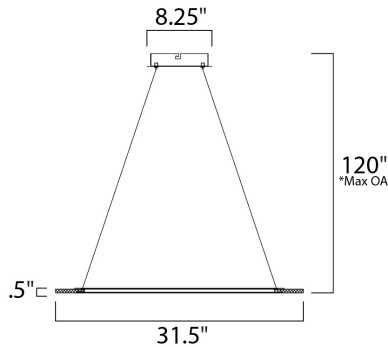




**PRODUCT DESCRIPTION**

A new variation of a very popular series with many different configurations many of which are large scale for commercial applications. Metal rings of Matte Silver support horizontal acrylic diffusers which glow when illuminated by dimmable LED.



\*max overall height

**MEASUREMENTS**

DIMENSION : 31.5" L x 31.5" W x 0.5" H  
 MAX OAH : 120" OAH  
 CANOPY : 8.25" W x 2" H x 8.25" L  
 HANGING WEIGHT : 16.62 lb

**LAMPING**

INPUT VOLTAGE : 120V  
 LUMENS : 2,240 Rated (1,810 Del.)  
 BULB : 1 x 32W LED PCB Integrated , 32W Total  
 BULB INCLUDED : (Integrated)  
 DIMMABLE : Triac CL  
 CRI : 80+ CRI  
 COLOR\_TEMP : 3000K

**FINISHES OPTION**

Matte Silver (MS)

**GLASS**

Matte White 11

**MATERIAL**

Aluminum, Acrylic

**RATINGS**

cETLus  
 Dry Location



**ADDITIONAL**

ADJUSTABLE  
 OPERATING TEMPERATURE:  
 -20°C (-4°F), 40°C (104°F)

Always consult a qualified electrician before installing any lighting product.



WESTERN DISTRIBUTION CENTER (HEADQUARTER)  
 253 NORTH VINELAND AVE | CITY OF INDUSTRY, CA 91746

EASTERN DISTRIBUTION CENTER  
 101 GARDNER PARK | PEACHTREE CITY, GA 30269

P. 626.956.4200 | F. 626.956.4225 | maximlighting.com