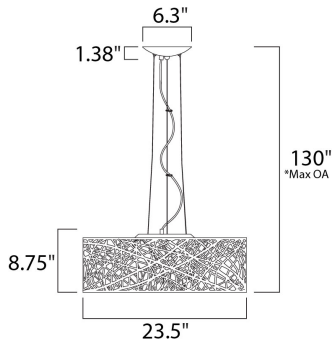




PRODUCT DESCRIPTION

Legendary meets contemporary with the Inca Collection. Reminiscent of the mythical tales of Incan treasures, the fixtures offer brilliantly shining crystal enclosed within a precision laser-cut sheath that cannot be duplicated. The glow of the light from within casts a beautifully radiant shine that adorns the outer permeable layer.



*max overall height



MEASUREMENTS

DIMENSION : 23.5" L x 23.5" W x 10" H
 MAX OAH : 125" OAH
 CANOPY : 6.3" W x 1.25" H x 6.3" L
 HANGING WEIGHT : 13.64 lb

LAMPING

INPUT VOLTAGE : 120V
 BULB : 9 x W LED G9 , 0W Total
 DIMMABLE : Yes

FINISHES OPTION

-  Bronze (BZ)
-  Polished Chrome (PC)

GLASS

Cognac 94

MATERIAL

Stainless Steel, Steel

RATINGS

cETLus
 Dry Location



ADDITIONAL

RATED LIFE 2000 Hours
 OPERATING TEMPERATURE:
 -20°C (-4°F), 40°C (104°F)

Always consult a qualified electrician before installing any lighting product.



WESTERN DISTRIBUTION CENTER (HEADQUARTER)
 253 NORTH VINELAND AVE | CITY OF INDUSTRY, CA 91746
 EASTERN DISTRIBUTION CENTER
 101 GARDNER PARK | PEACHTREE CITY, GA 30269
 P. 626.956.4200 | F. 626.956.4225 | maximlighting.com