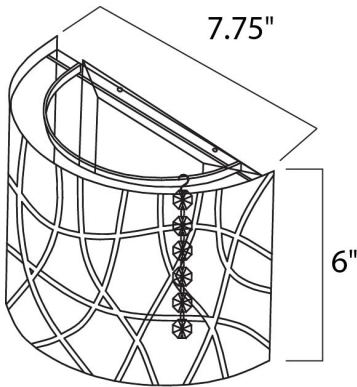




PRODUCT DESCRIPTION

Legendary meets contemporary with the Inca Collection. Reminiscent of the mythical tales of Incan treasures, the fixtures offer brilliantly shining crystal enclosed within a precision laser-cut sheath that cannot be duplicated. The glow of the light from within casts a beautifully radiant shine that adorns the outer permeable layer.





MEASUREMENTS

DIMENSION : 7.75" L x 7.8" W x 5.9" H x 4" Ext
 MAX OAH : 6.75" W x 5.13" H
 HANGING WEIGHT : 1.54 lb

LAMPING

INPUT VOLTAGE : 120V
 LUMENS : 450 Rated (400 Del.)
 BULB : 1 x 4W LED G9 , 4W Total
 BULB INCLUDED : (Included)
 DIMMABLE : Yes
 CRI : 80+ CRI
 COLOR_TEMP : 3000K

FINISHES OPTION

-  Bronze (BZ)
-  Polished Chrome (PC)

GLASS

Cognac 94

MATERIAL

Stainless Steel, Steel

RATINGS

cETLus
 Dry Location
 ADA



ADDITIONAL

INSTALL UP/DOWN: Down
 OPERATING TEMPERATURE:
 -20°C (-4°F), 40°C (104°F)

Always consult a qualified electrician before installing any lighting product.



WESTERN DISTRIBUTION CENTER (HEADQUARTER)
 253 NORTH VINELAND AVE | CITY OF INDUSTRY, CA 91746
 EASTERN DISTRIBUTION CENTER
 101 GARDNER PARK | PEACHTREE CITY, GA 30269
 P. 626.956.4200 | F. 626.956.4225 | maximlighting.com