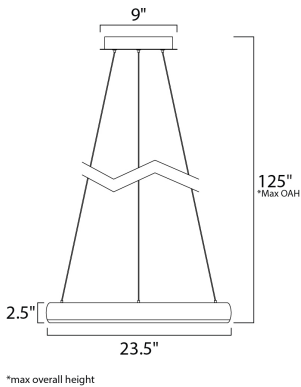




**PRODUCT DESCRIPTION**

Doughnut shaped rings finished in a beautiful Satin Nickel create a soft contemporary design. LEDs are mounted at an angle to evenly illuminate the entire diffuser a soft diffused light.



**MEASUREMENTS**

- DIMENSION : 23.5" L x 23.5" W x 2.5" H
- MAX OAH : 125" OAH
- CANOPY : 9" W x 1.25" H x 9" L
- HANGING WEIGHT : 8 lb

**LAMPING**

- INPUT VOLTAGE : 120V
- LUMENS : 1,540 Rated
- BULB : 1 x 28W LED PCB Integrated , 28W Total
- BULB INCLUDED : (Integrated)
- DIMMABLE : Triac CL
- CRI : 80+ CRI
- COLOR\_TEMP : 3000K

**FINISHES OPTION**

-  Satin Nickel (SN)

**MATERIAL**

Steel, Acrylic

**RATINGS**

cETLus  
Dry Location



**ADDITIONAL**

ADJUSTABLE  
RATED LIFE 35000 Hours  
OPERATING TEMPERATURE:  
-20°C (-4°F), 40°C (104°F)

Always consult a qualified electrician before installing any lighting product.



WESTERN DISTRIBUTION CENTER (HEADQUARTER)  
253 NORTH VINELAND AVE | CITY OF INDUSTRY, CA 91746  
EASTERN DISTRIBUTION CENTER  
101 GARDNER PARK | PEACHTREE CITY, GA 30269  
P. 626.956.4200 | F. 626.956.4225 | maximlighting.com