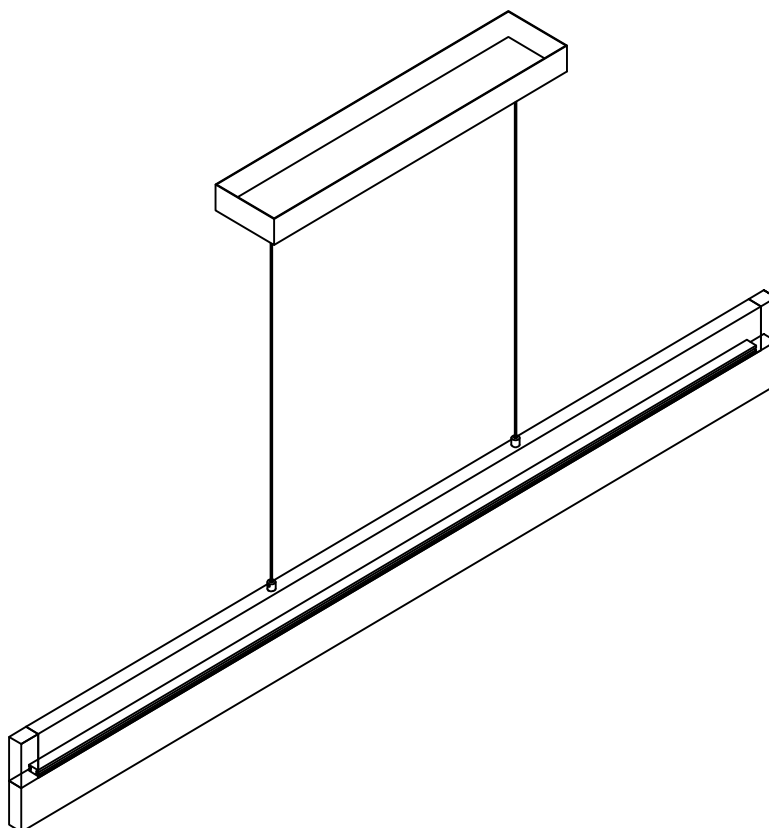


# Contemporary Lighting

Product Name: I-Bar

Item Number: E35022

Please consult a licensed electrician for hanging and wiring.



Dimmable only with Hue compatible devices.  
Requires Philips Hue Bridge for smart control or Philips Hue Wireless Dimmer Switch  
Please remove (wall or cord) dimmers between mains and luminaire or use the luminaire where no dimmers are in place.  
A dimmer will impact the performance and lifetime of the Product.  
Dimming up or down of the luminaire is to be done only with Hue compatible devices

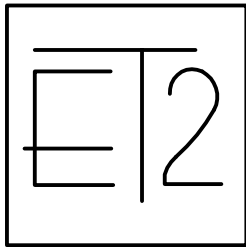
**WARNING:** Wires need to be connected to driver found in canopy and should not be connected directly to power source or a short may occur .

30.8W Friends of Hue Color Ambiance LED Strip (integrated)



Made in China  
Page 1 of (3)

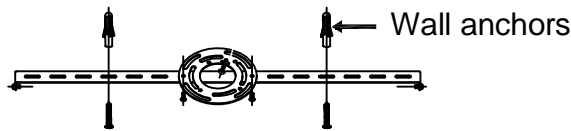
ET2 via its licencor grants you a non-exclusive right to solely access and use the software (and any updates thereto) included in the Hue Components as part of the Friends of Hue fixture.  
Any software included in the Hue Components (and any updates thereto), is licensed and not sold. No other use is permitted, and Signify (Philips Lighting) retains for itself all title and ownership to any software delivered hereunder



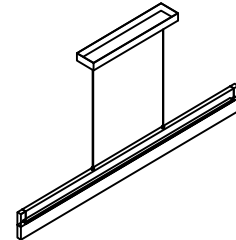
# Contemporary Lighting

**IMPORTANT:** Turn off the power at the main fuse or circuit breaker box before starting installation

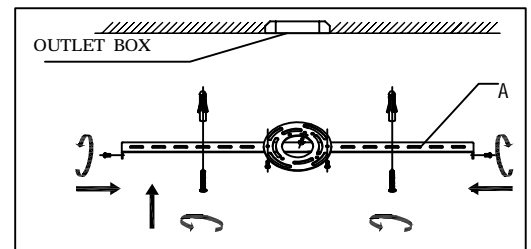
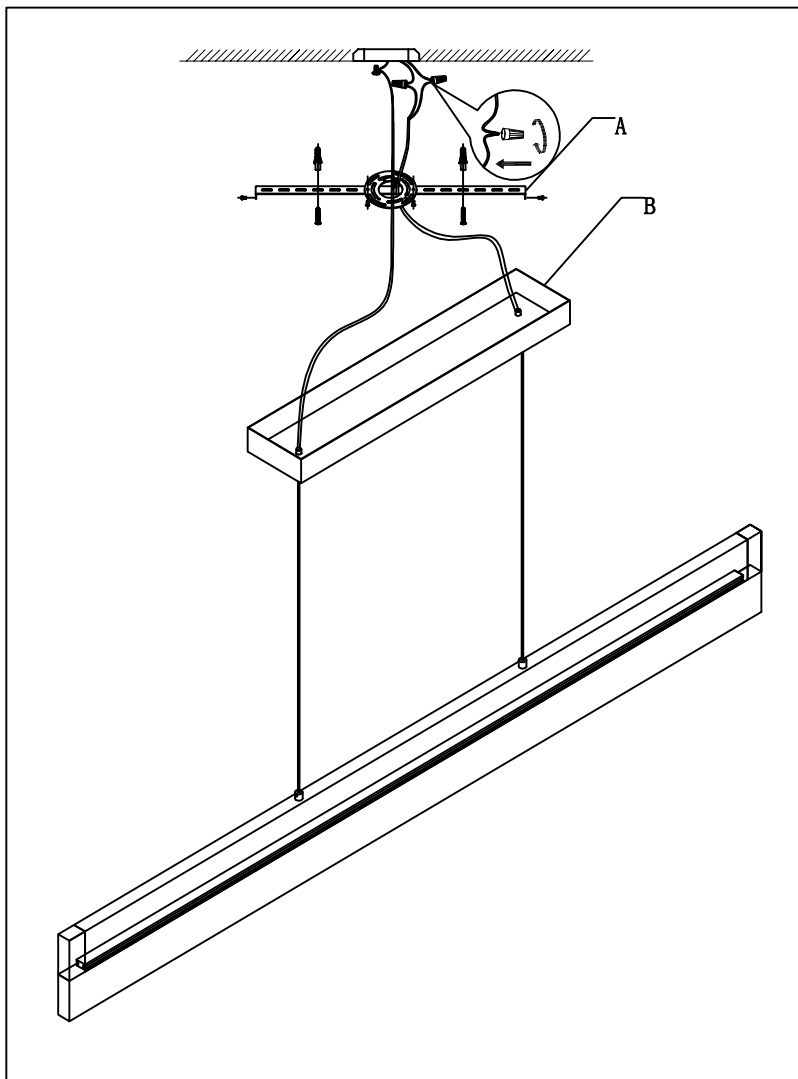
Mounting Bracket (A)



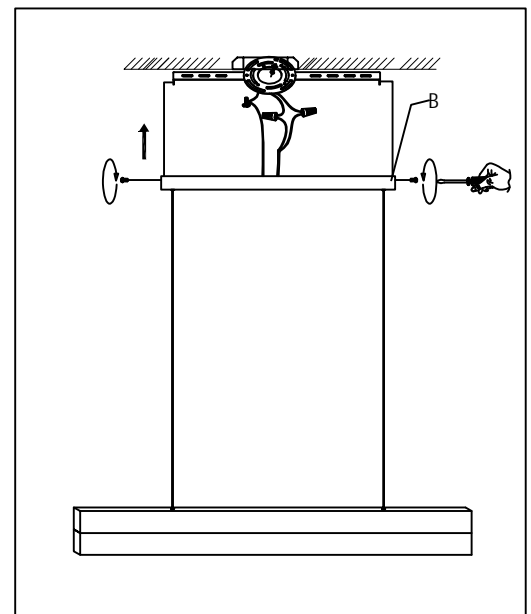
Fixture (B)



Locate all hardware & components before discarding packaging



**Step.1:** Remove mounting bracket from fixture and install to electrical box. Mark where screws at ends of bracket meet the ceiling. Remove mounting bracket from ceiling. Drill holes using 3/16"± drill bit where marked. Install mounting bracket to outlet box and attach anchors to secure bracket at ends.



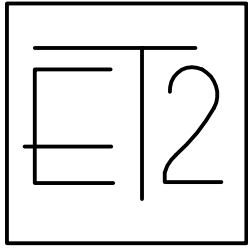
**Step.2:** Adjust wire length to desired mounting height, and tighten strain relief screws to secure. Wire fixture to wires in outlet box. Install fixture to bracket and tighten screws at the ends of the canopy to secure.



After installation is complete, Plug in your HUE Bridge and connect to the Wi-Fi router. Install the HUE App for pairing and configuring your Friends of HUE product.

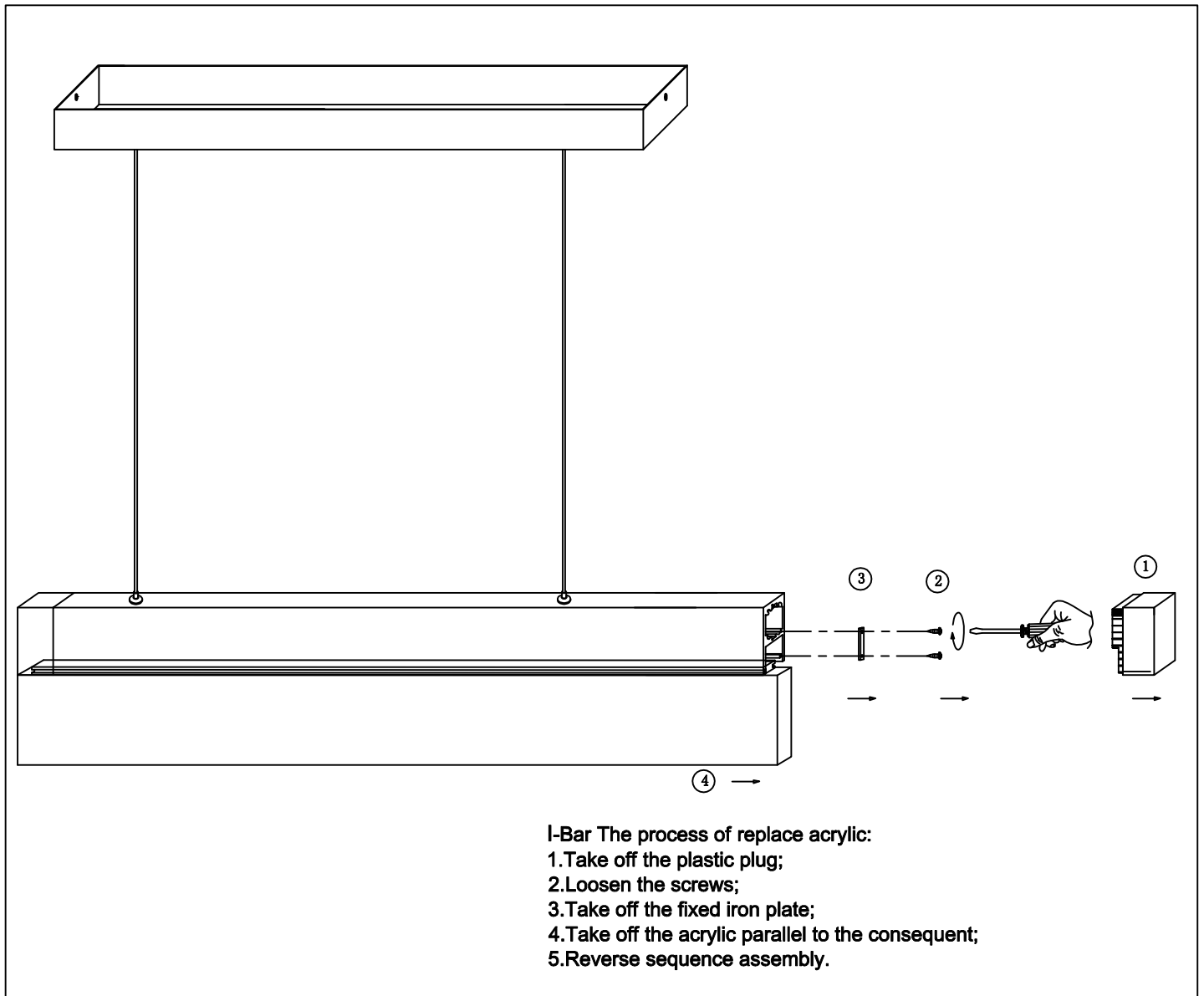
Please be informed that Signify (Philips Lighting) will have access to your personal and usage data via the Hue bridge. In order to understand how Signify (Philips Lighting) processes your personal data and usage data please read respectively Supplier privacy notice and terms of use which can be found on [www.meethue.com](http://www.meethue.com)

**Cleaning & Care:**  
Clean with soft cloth and a mild detergent.  
Do not use abrasive cleaner.



# Contemporary Lighting

## The process of replace acrylic



After installation is complete,  
Plug in your HUE Bridge and connect to the Wi-Fi router.  
Install the HUE App for pairing and configuring your Friends of HUE product.

Please be informed that Signify (Philips Lighting) will have access to your personal and usage data via the Hue bridge.  
In order to understand how Signify (Philips Lighting) processes your personal data and usage data please read  
respectively Supplier privacy notice and terms of use which can be found on [www.meethue.com](http://www.meethue.com)

**Cleaning & Care:**  
Clean with soft cloth and a mild detergent.  
Do not use abrasive cleaner.