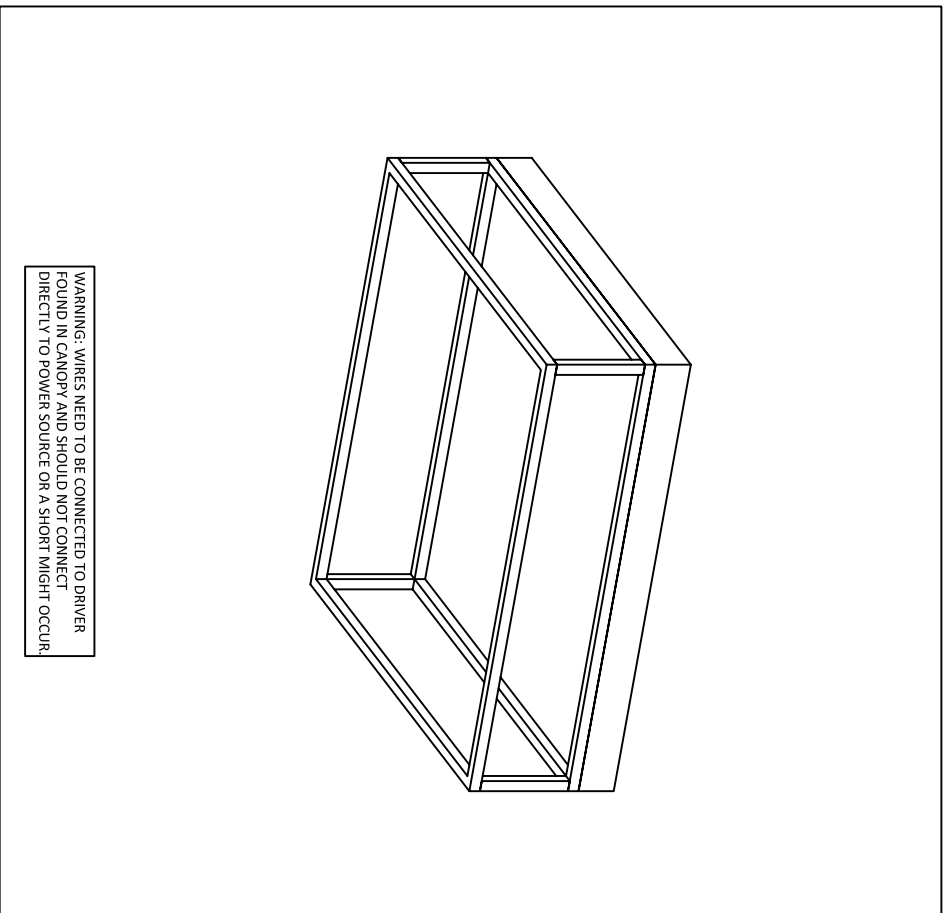




# Contemporary Lighting™

PRODUCT NAME: 4 SQUARE  
ITEM NUMBER: E30598

Please consult your electrician for hanging fixture and wiring.

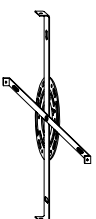


WARNING: WIRES NEED TO BE CONNECTED TO DRIVER  
FOUND IN CANOPY AND SHOULD NOT CONNECT  
DIRECTLY TO POWER SOURCE OR A SHORT MIGHT OCCUR

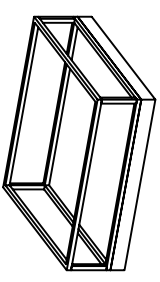
Bulb (integrated): 48 Watts LED

MADE IN CHINA  
Page 1 of (2)

**IMPORTANT:** Turn off the power at the main fuse or circuit breaker box before starting installation

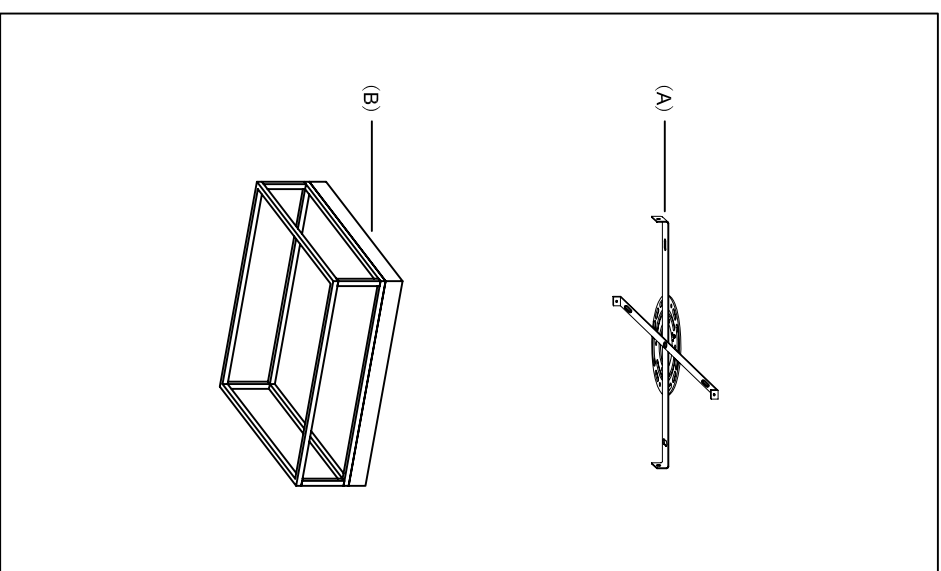


Bracket (A)

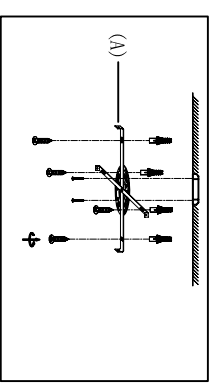


Body (B)

Locate all hardware & components before discarding packaging

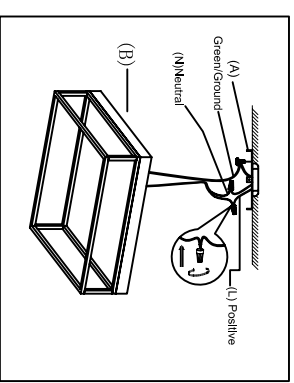


1.)



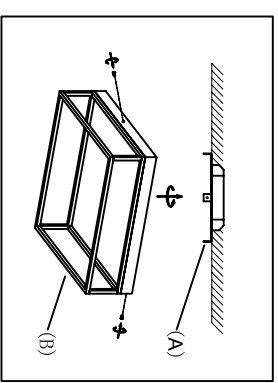
Step 1: Remove Bracket (A) from fixture and install to electrical box.

2.)



Step 2: Wire fixture to wires in outlet box. Install Green wire to Ground Screw.

3.)



Step 3: Install Body (B) to Canopy (A) and tighten screws at the end of the canopy to secure.

**Cleaning & Care:**  
Clean with soft cloth and a mild detergent.  
Do not use abrasive cleaner.

Page 2 of (2)