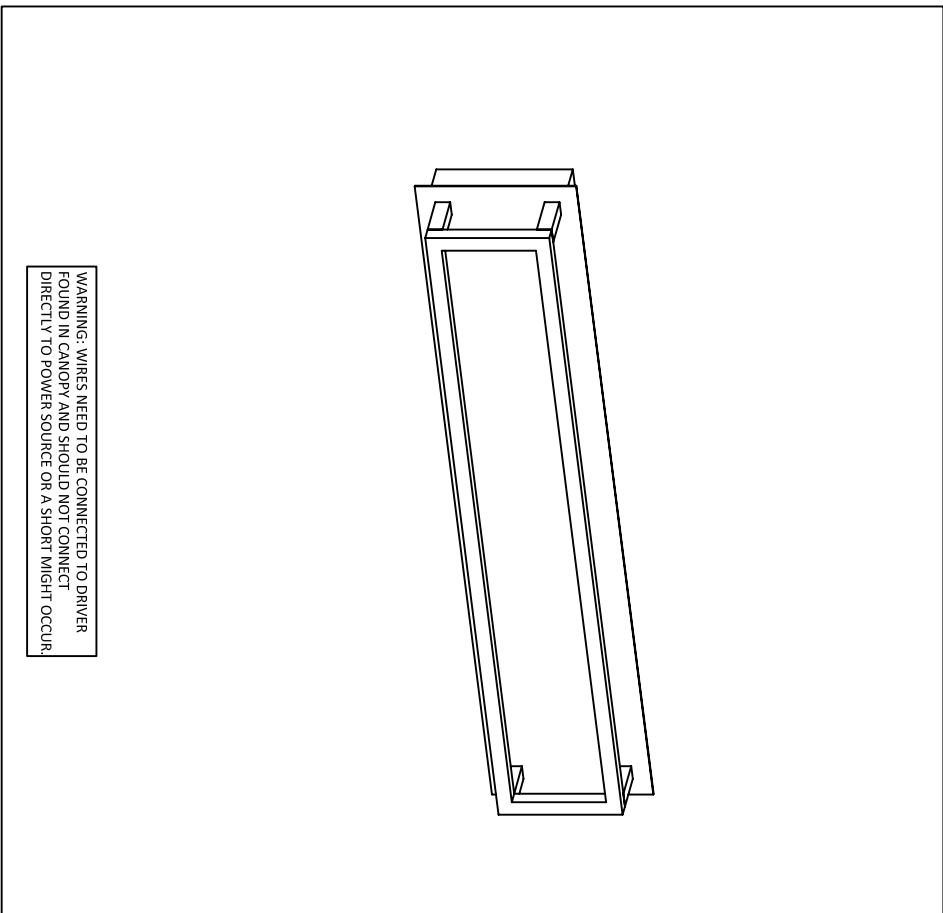




Contemporary Lighting™

PRODUCT NAME: 4 SQUARE
ITEM NUMBER: E30596

Please consult your electrician for hanging fixture and wiring.

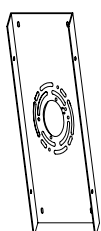


WARNING: WIRES NEED TO BE CONNECTED TO DRIVER
FOUND IN CANOPY AND SHOULD NOT CONNECT
DIRECTLY TO POWER SOURCE OR A SHORT MIGHT OCCUR

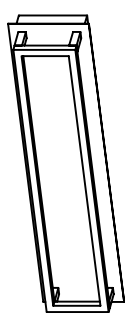
Bulb (integrated): 24 Watts LED

MADE IN CHINA
Page 1 of (2)

IMPORTANT: Turn off the power at the main fuse or circuit breaker box before starting installation

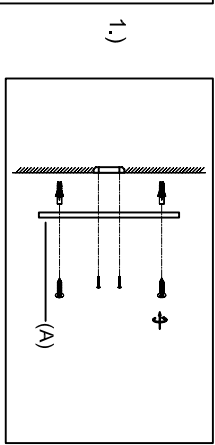
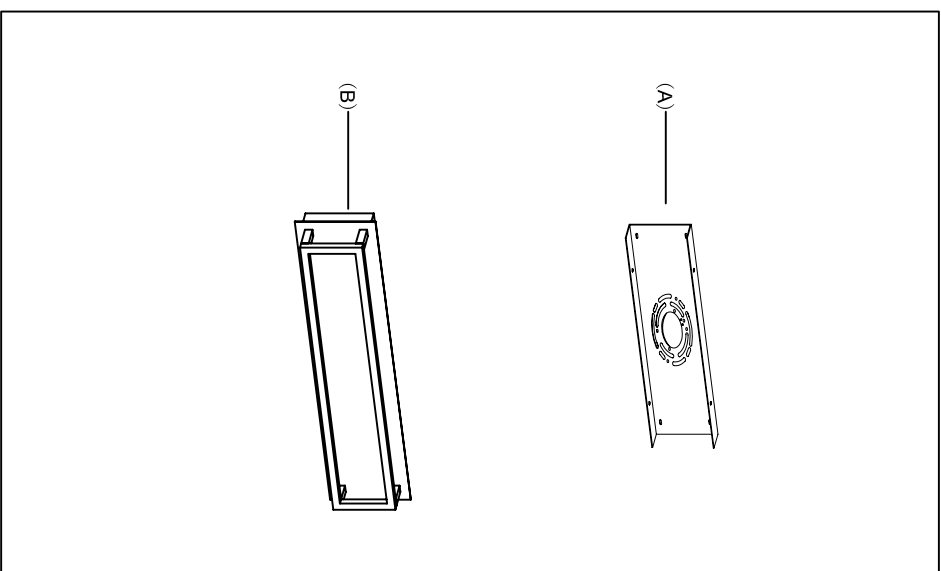


(A)
Mounting Bracket

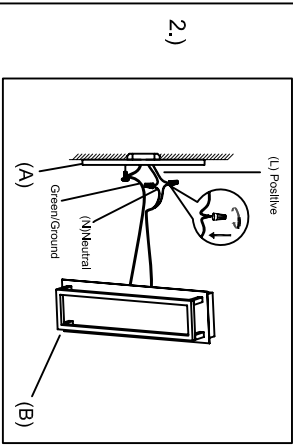


(B)
Body

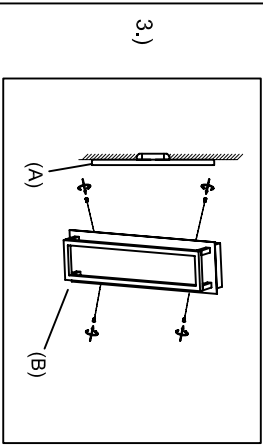
Locate all hardware & components before discarding packaging



Step 1: Remove Bracket (A) from fixture and install to electrical box.



Step 2: Wire fixture to wires in outlet box. Install Green wire to Ground Screw.



Step 3: Install Body (B) to Canopy (A) and tighten screws at the end of the canopy to secure.

Cleaning & Care:
Clean with soft cloth and a mild detergent.
Do not use abrasive cleaner.

Page 2 of (2)