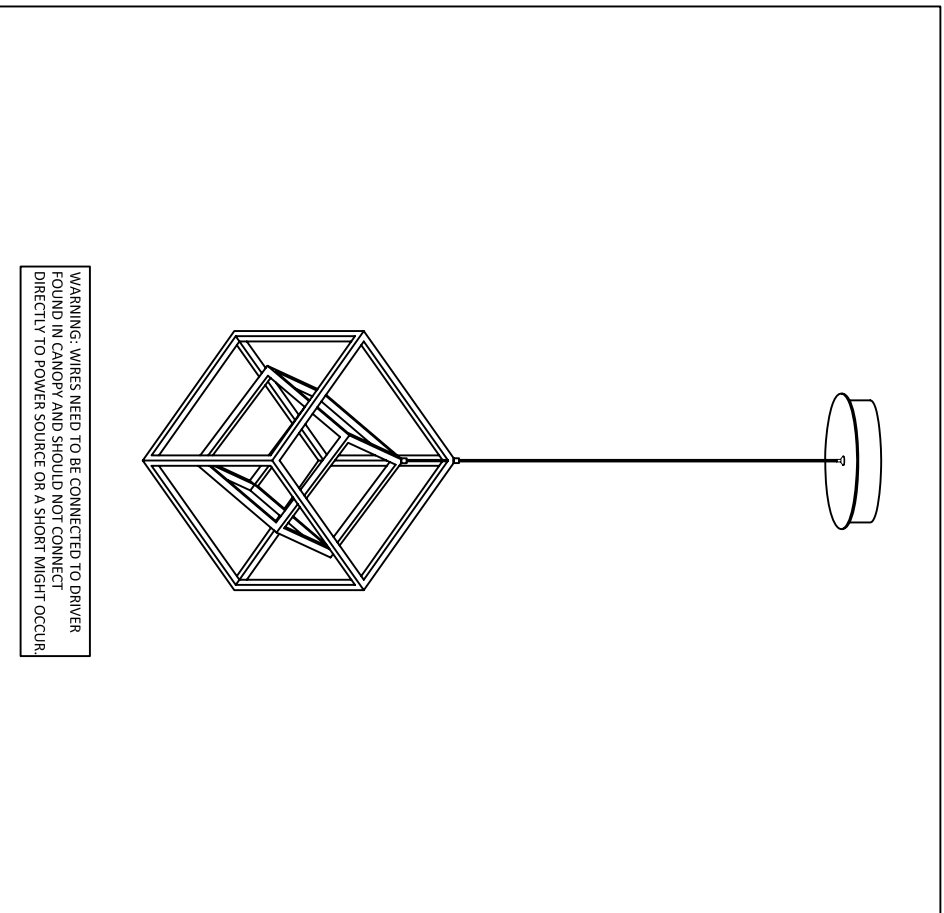




# Contemporary Lighting™

PRODUCT NAME: 4 SQUARE  
ITEM NUMBER: E30586-BKPC

Please consult your electrician for hanging fixture and wiring.

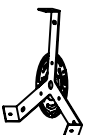


WARNING- WIRES NEED TO BE CONNECTED TO DRIVER FOUND IN CANOPY AND SHOULD NOT CONNECT DIRECTLY TO POWER SOURCE OR A SHORT MIGHT OCCUR

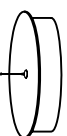
Bulb (integrated): 58 Watts LED

MADE IN CHINA  
Page 1 of (2)

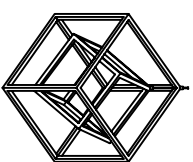
**IMPORTANT:** Turn off the power at the main fuse or circuit breaker box before starting installation



Bracket (A)

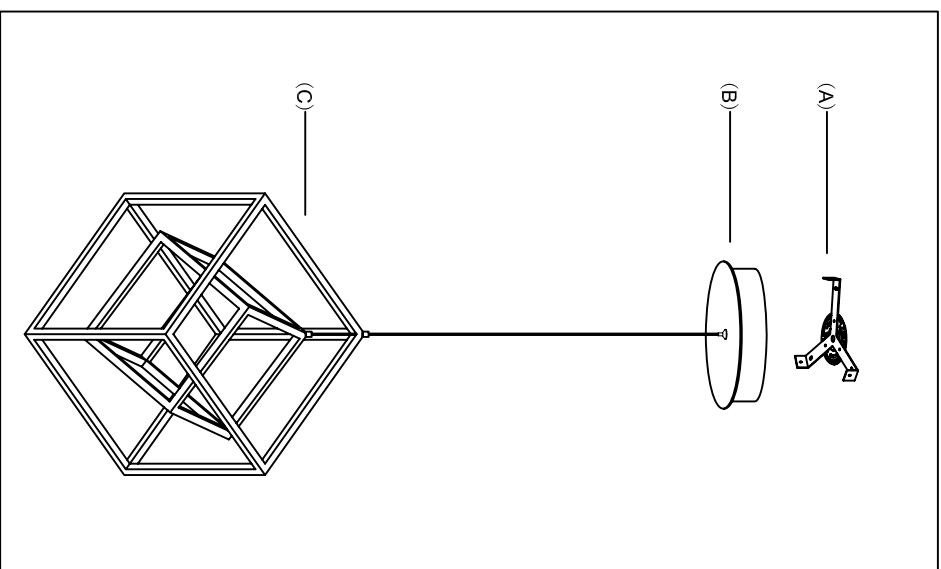


Canopy (B)

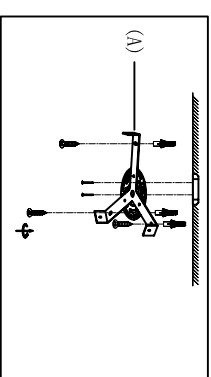


Body (C)

Locate all hardware & components before discarding packaging

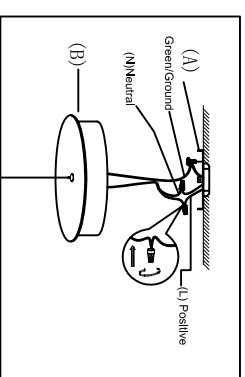


1.)



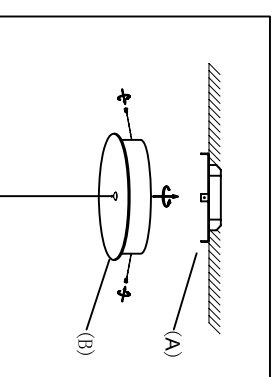
Step 1: Remove Bracket (A) from fixture and install to electrical box.

2.)



Step 2: Wire fixture to wires in outlet box. Install Green wire to Ground Screw.

3.)



Step 3: Adjust wire length to desired hanging height. Install Canopy (B) to Bracket (A) and tighten screws at the end of canopy to secure.

**Cleaning & Care:**  
Clean with soft cloth and a mild detergent.  
Do not use abrasive cleaner.

Page 2 of (2)