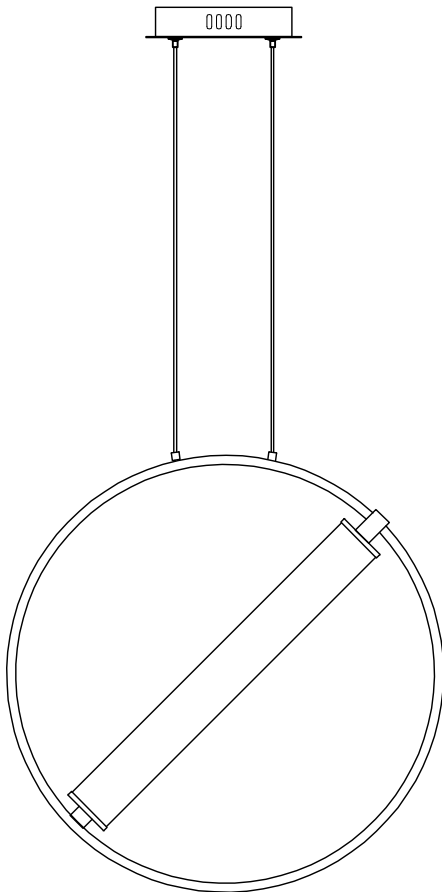


# Contemporary Lighting

**PRODUCT NAME:** Flare  
**ITEM NUMBER:** E23274-93BKSFTG

**Please consult your electrician for hanging fixture and wiring.**



**The fixture is designed to dim with a standard Triac forward phase dimmer. Dimming levels will vary by dimmer.**

**Below is a list of recommended dimmers:**

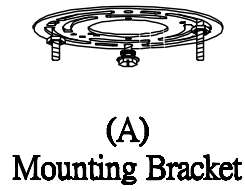
- Lutron MACL-153M**
- Lutron DVL-153P**
- Lutron SCL-153P**
- Leviton IPL06-10Z**
- Leviton 6674-POW**

**Due to inrush current wattage should not exceed 150 watts of product for a 600 watt dimmer.**

**Warning! Wires need to be connected to driver found in canopy and should not be connected directly to power source or a short may occur.**

**Bulb(integrated):LED 17W**

**IMPORTANT: Turn off the power at the main fuse or circuit breaker box before starting installation**

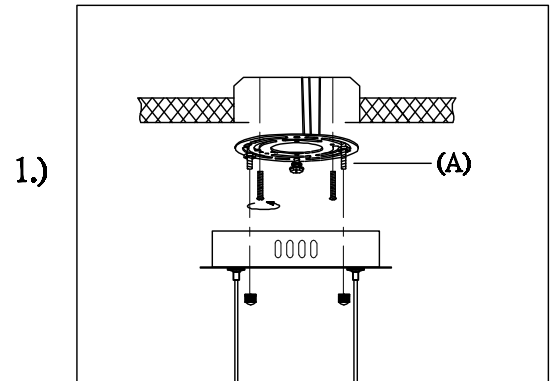
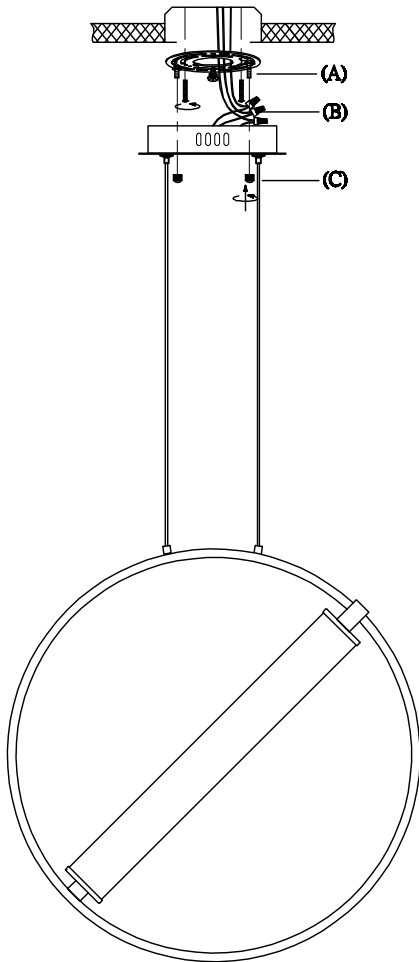


(A)  
Mounting Bracket



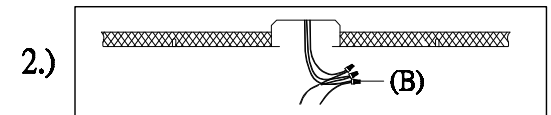
(C)  
Finial

**Locate all hardware & components before discarding packaging**



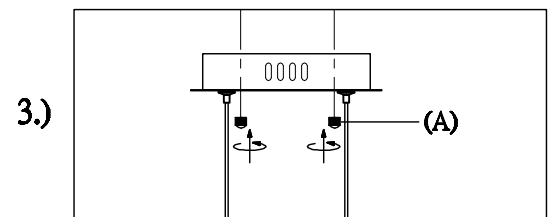
1.)

**Step.1: Remove mounting bracket (A) from fixture and install to electrical box.**



2.)

**Step.2: Wire fixture to wires (B) in outlet box. Copper wire is for Ground.**



3.)

**Step.3: Adjust wire length to desired mounting height, and tighten strain relief screws to secure. Install fixture to bracket and tighten finials (C) at the ends of the canopy to secure.**

**Cleaning & Care:**

Clean with soft cloth and a mild detergent.  
Do not use abrasive cleaner.